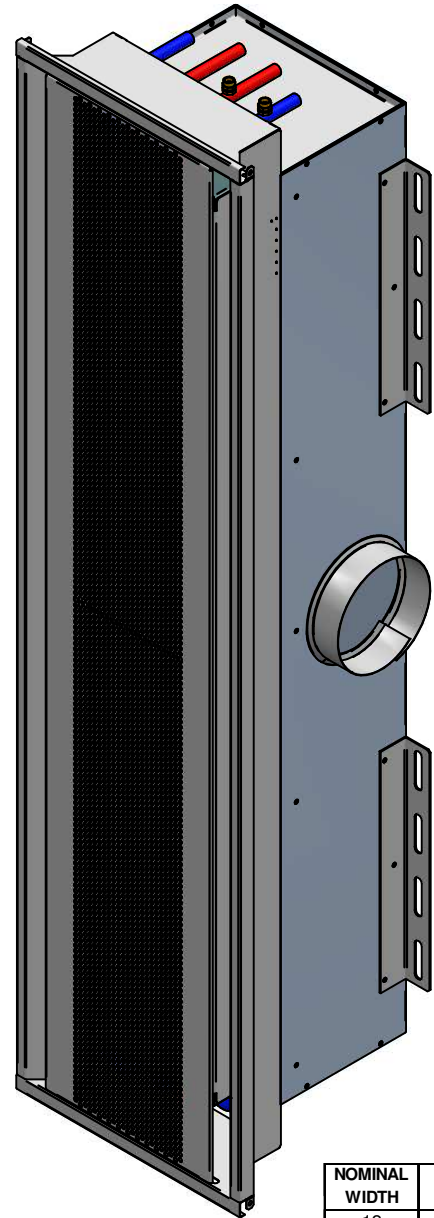


ACTIVE CHILLED BEAM LINEAR 12" WIDE



OPTIONS:

- DISCHARGE (SEE PAGE 2)
- INLET SIZE (SEE PAGE 2)
- INLET LOCATION (SEE PAGE 2)
- PLENUM HEIGHT (SEE PAGE 4)
- BORDER STYLE (SEE PAGE 9)
- MOUNTING BRACKET (SEE PAGE 3)
- CASING ACCESSORY (SEE PAGE 8)
- SLIMLINE COUPLING (SEE PAGE 7)
- ACCESS BLANK SECTION (SEE PAGE 5)
- RETURN/ EXHAUST SECTION (SEE PAGE 6)
- AIR DIFFUSER SECTION (SEE PAGE 6)
- INLET DAMPER (SEE PAGE 10)
- VOLUME FLOW REGULATOR (SEE PAGE 11)

NOZZLE SIZE:

- 101
- 201
- 301
- 405
- 401
- 501
- 601

COIL TYPE:

- 2P1C- 2 PIPE, 1 CIRCUIT
- 2P1C-DV- 2 PIPE, 1 CIRCUIT W/ DRAIN AND VENT
- 4P1C- 4 PIPE, 1 CIRCUIT
- 4P1C-DV- 4 PIPE, 1 CIRCUIT W/ DRAIN AND VENT

COIL CONNECTION:

- SWT- 1/2" SWEAT
- FNPT- 1/2" NPT- FEMALE
- FNPT-E- 1/2" NPT- FEMALE- ELBOW
- MNPT- 1/2" NPT- MALE

COIL FINISH:

- NONE-UNPAINTED (DEFAULT)
- BLK- BLACK PAINTED COIL

FACE STYLE:

- P- PERFORATED
- G- GRILLE

PLENUM FINISH:

- GLV- UNPAINTED GALVANNEAL
- MATCH- PLENUM MATCHES UNIT FINISH

INSULATION:

- NONE (DEFAULT)
- INT- 1/8" FIBERFREE INTERNAL INSULATION
- EXT- 1/2" FIBERFREE EXTERNAL INSULATION
- INEX- INTERNAL & EXTERNAL INSULATION

PROTECTIVE FILM:

- NONE (DEFAULT)
- PF- PROTECTIVE FILM

FINISH:

- B12- STANDARD WHITE (DEFAULT)
- SPL- SPECIAL COLOR

ELEVATION:

- SEA LEVEL
- HIGH ALTITUDE _____ FT

NOTES:

- STANDARD CONSTRUCTION IS 20 GAUGE CASING CONSTRUCTION (STEEL)
- FACTORY TOLERANCE IS ± 1/32

NOMINAL WIDTH	ACTUAL WIDTH
12	11 3/4
NOMINAL LENGTH	ACTUAL LENGTH
24	23 3/4
36	35 3/4
48	47 3/4
60	59 3/4
72	71 3/4
84	83 3/4
96	95 3/4
108	107 3/4
120	119 3/4

PROJECT:		PRICE	
		BB	ACBL12
ENGINEER:		ACTIVE CHILLED BEAM LINEAR 12" WIDE	
CUSTOMER:		271284	
SUBMITTAL DATE:	SPEC. SYMBOL:	2023/11/10	

ACTIVE CHILLED BEAM LINEAR 12" WIDE

DISCHARGE

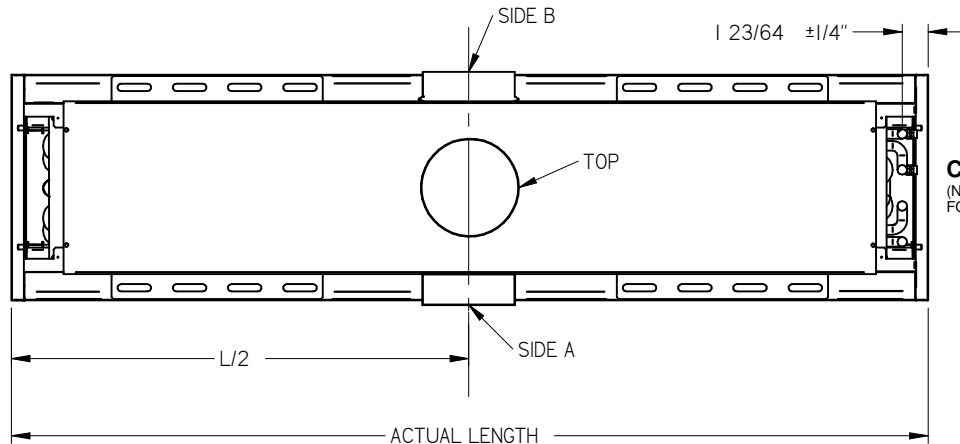
- 1-W
- 2-W

INLET LOCATION OPTIONS:

- A- SIDE A
- B- SIDE B
- T- TOP

INLET SIZES:

- 5" ROUND
- 6" OVAL EQUIVALENT (4"x7")
- 8" OVAL EQUIVALENT (4"x10.125")



2-W DISCHARGE

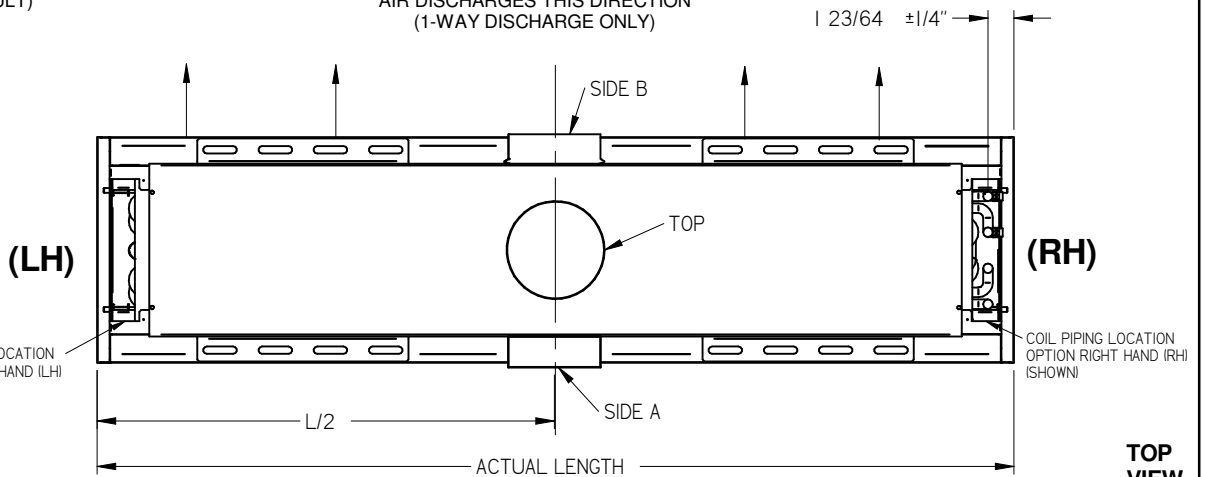
TOP VIEW

COIL ORIENTATION:

- RH- RIGHT HAND (DEFAULT)
- LH- LEFT HAND

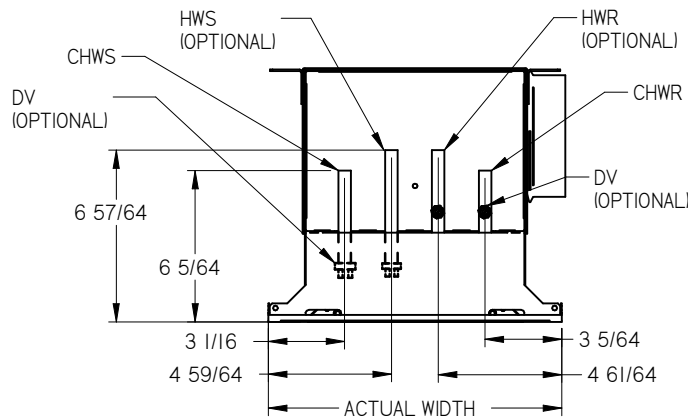
*ONLY FOR 1-W

AIR DISCHARGES THIS DIRECTION
(1-WAY DISCHARGE ONLY)



1-W DISCHARGE

TOP VIEW



4 PIPE

PROJECT:

ENGINEER:

CUSTOMER:

SUBMITTAL DATE:

SPEC. SYMBOL:



BB

271284

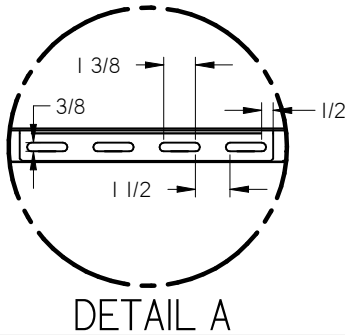
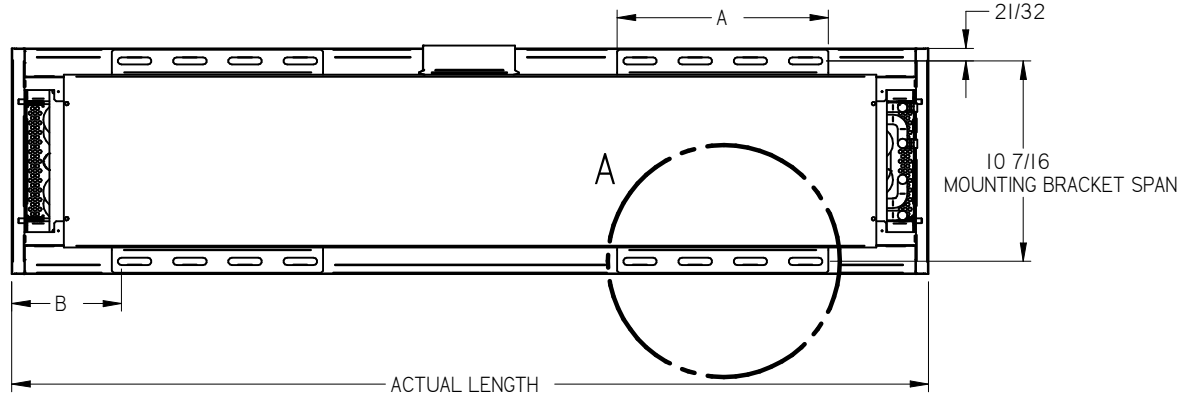
2023/11/10

ACBL12
ACTIVE CHILLED BEAM
LINEAR 12" WIDE

ACTIVE CHILLED BEAM LINEAR 12" WIDE

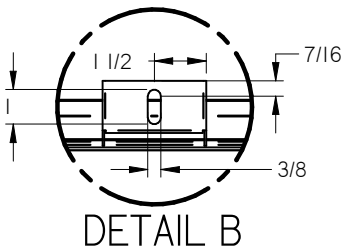
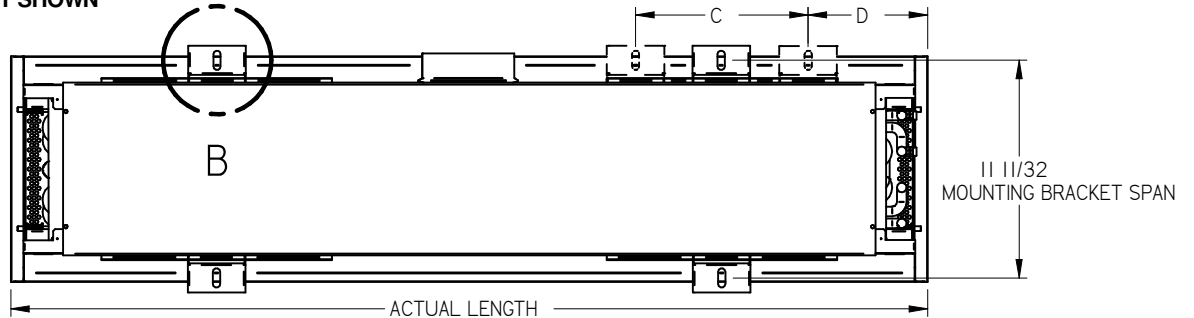
MOUNTING BRACKET:
 FIX - FIXED BRACKET (DEFAULT)
 DIN - ADJUSTABLE BRACKET

FIXED BRACKET SHOWN



	FIXED BRACKET AMOUNT PER LENGTH								
	ACTIVE COIL LENGTH								
	24"	36"	48"	60"	72"	84"	96"	108"	120"
QTY	4	8	4	4	8	8	12	12	16
BRACKET LENGTH (A)	2 1/2	2 1/2	11	11	11	11	11	11	11
BRACKET END LENGTH (B)	4 4/5	4 4/5	5 5/7	5 5/7	5 5/7	5 5/7	5 5/7	5 5/7	5 5/7

ADJUSTABLE BRACKET SHOWN



	DIN BRACKET AMOUNT PER LENGTH								
	ACTIVE COIL LENGTH								
	24"	36"	48"	60"	72"	84"	96"	108"	120"
QTY	4	4	4	4	4	6	6	6	6
BRACKET TRAVEL LENGTH (C)	1/2	4	9	9	21	21	33	33	45
BRACKET END LENGTH (D)	5 1/4	5 1/4	6 2/9	6 2/9	6 2/9	6 2/9	6 2/9	6 2/9	6 2/9

PROJECT:

ENGINEER:

CUSTOMER:

SUBMITTAL DATE:

SPEC. SYMBOL:

PRICE

BB

271284

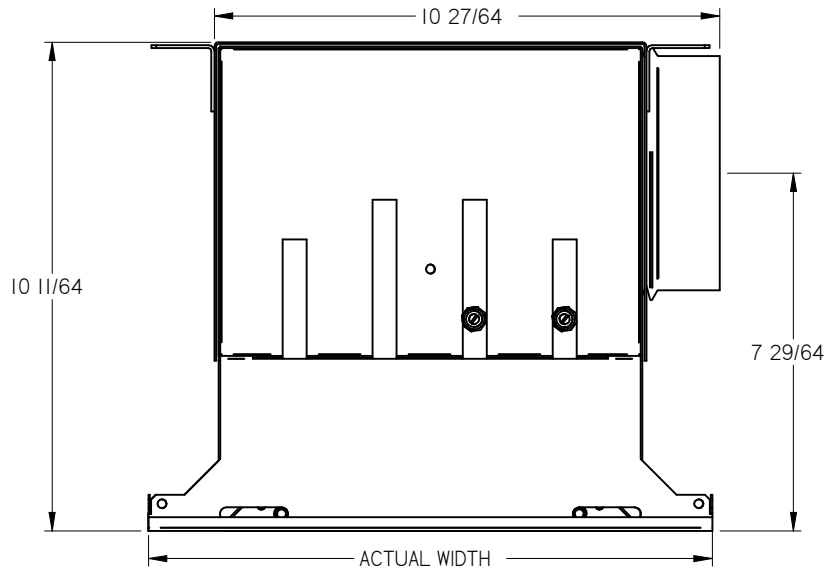
2023/11/10

ACBL12
ACTIVE CHILLED BEAM
LINEAR 12" WIDE

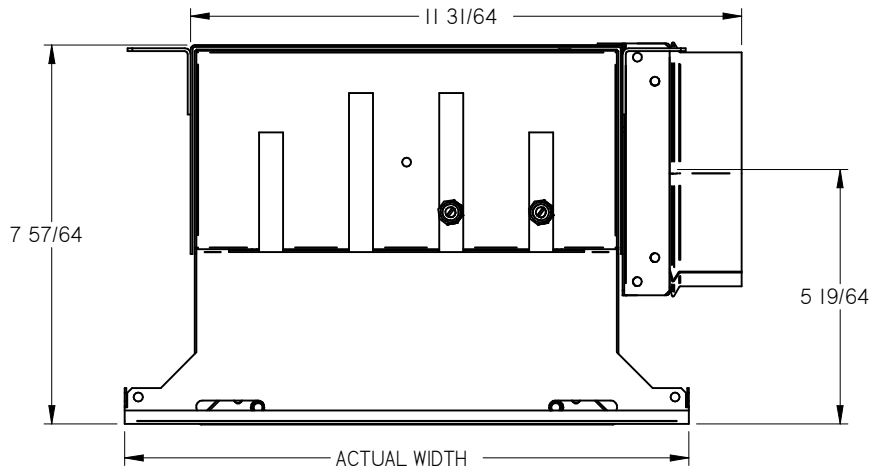
ACTIVE CHILLED BEAM LINEAR 12" WIDE

PLENUM HEIGHT:
 □STD - STANDARD (DEFAULT)
 □LP - LOW PROFILE

STANDARD PLENUM HEIGHT SHOWN



LOW PROFILE PLENUM HEIGHT SHOWN



PROJECT:

ENGINEER:

CUSTOMER:

SUBMITTAL DATE:

SPEC. SYMBOL:



BB

271284

2023/11/10

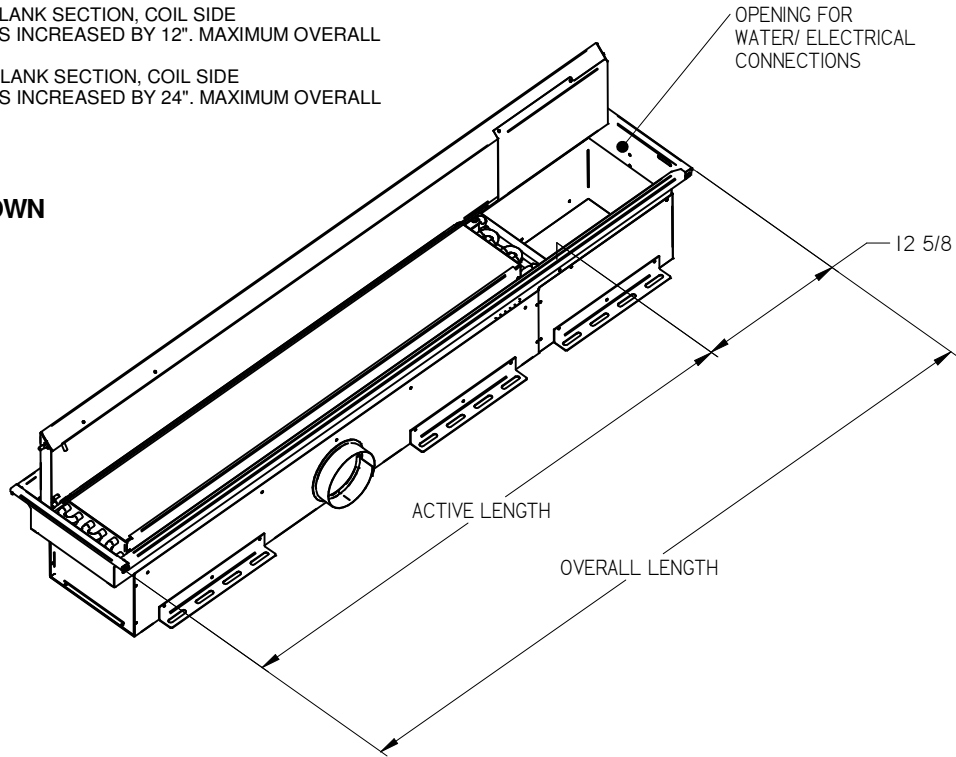
ACBL12
ACTIVE CHILLED BEAM
LINEAR 12" WIDE

ACTIVE CHILLED BEAM LINEAR 12" WIDE

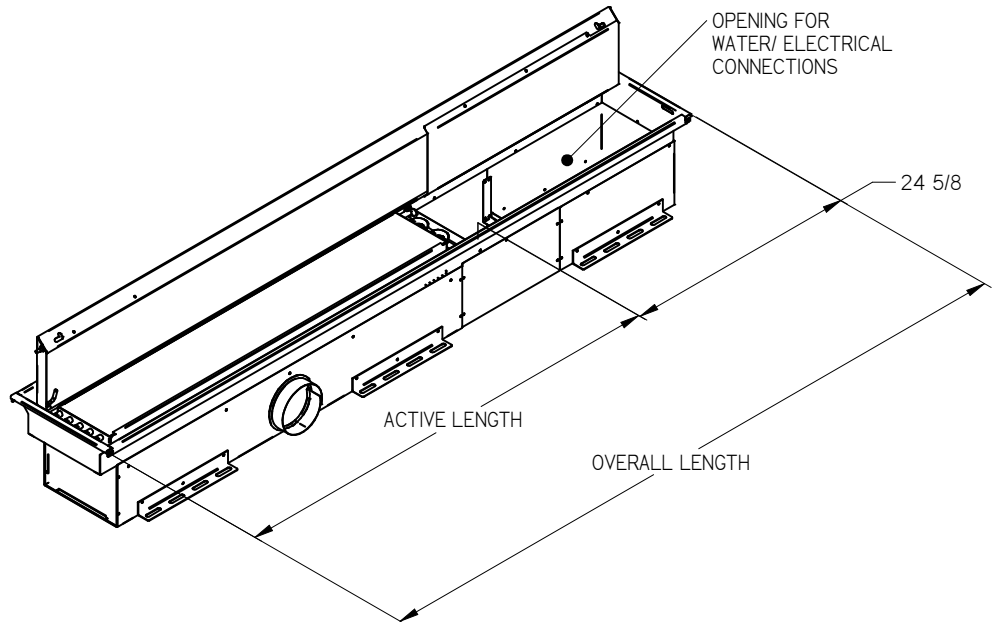
ACCESS BLANK SECTION:

- NONE (DEFAULT)
- ABS12- FACE ACCESSIBLE BLANK SECTION, COIL SIDE
(OVERALL LENGTH OF BEAM IS INCREASED BY 12". MAXIMUM OVERALL BEAM LENGTH IS 120".)
- ABS24- FACE ACCESSIBLE BLANK SECTION, COIL SIDE
(OVERALL LENGTH OF BEAM IS INCREASED BY 24". MAXIMUM OVERALL BEAM LENGTH IS 120".)

ABS 12 SHOWN



ABS 24 SHOWN



PROJECT:

ENGINEER:

CUSTOMER:

SUBMITTAL DATE:

SPEC. SYMBOL:



BB

271284

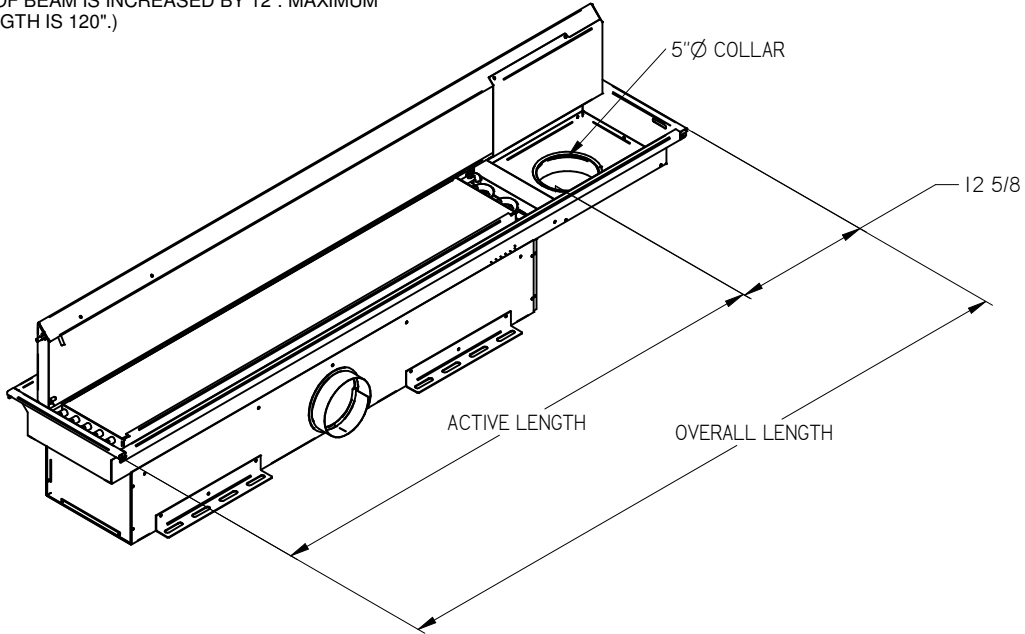
2023/11/10

ACBL12
ACTIVE CHILLED BEAM
LINEAR 12" WIDE

ACTIVE CHILLED BEAM LINEAR 12" WIDE

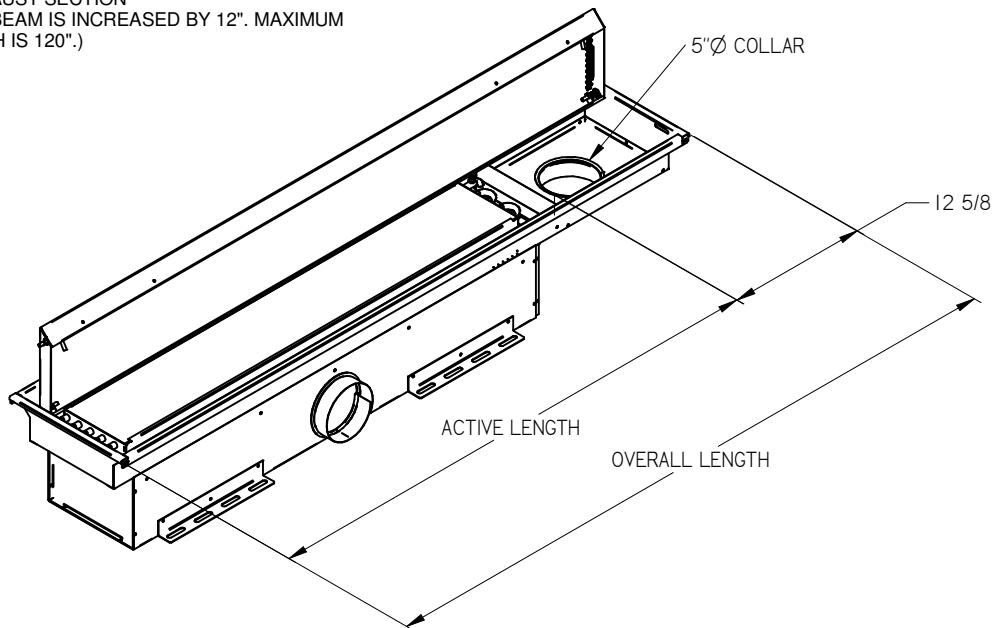
AIR DIFFUSER SECTION:

NONE (DEFAULT)
 ADS12- AIR DIFFUSER SECTION
 (OVERALL LENGTH OF BEAM IS INCREASED BY 12". MAXIMUM OVERALL BEAM LENGTH IS 120".)



RETURN/ EXHAUST SECTION:

NONE (DEFAULT)
 RET12- RETURN/ EXHAUST SECTION
 (OVERALL LENGTH OF BEAM IS INCREASED BY 12". MAXIMUM OVERALL BEAM LENGTH IS 120".)



PROJECT:

ENGINEER:

CUSTOMER:

SUBMITTAL DATE:

SPEC. SYMBOL:



BB

271284

2023/11/10

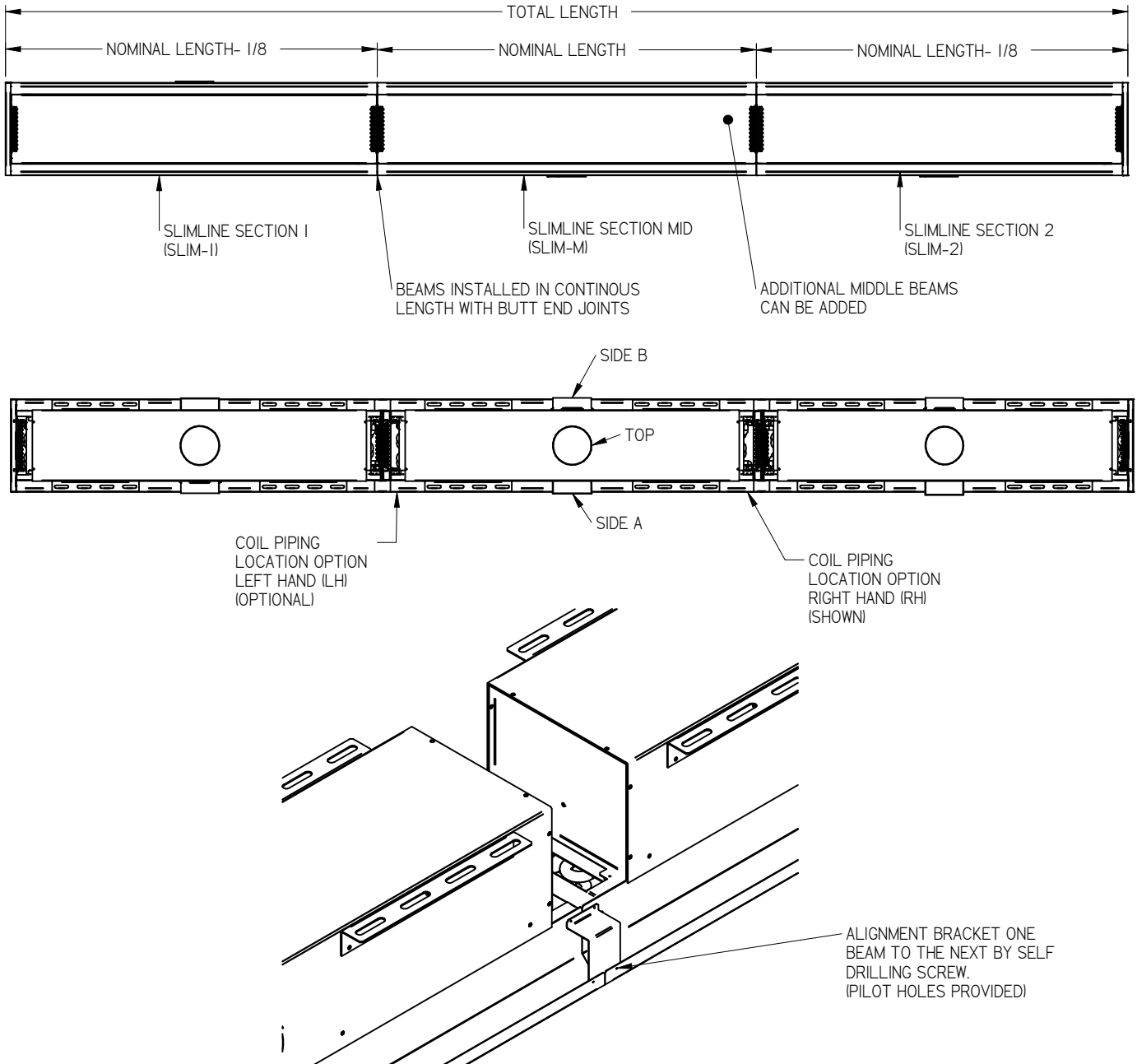
ACBL12
ACTIVE CHILLED BEAM
LINEAR 12" WIDE

ACTIVE CHILLED BEAM LINEAR 12" WIDE

SLIMLINE COUPLING:

- NONE (DEFAULT)
- SLIM-1
- SLIM-M
- SLIM-2

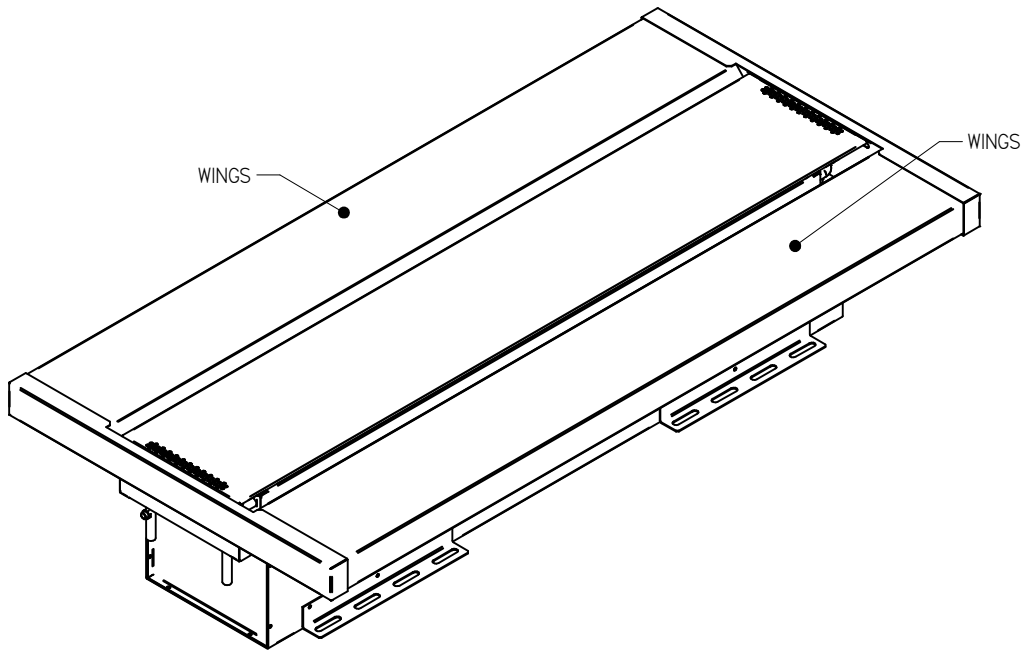
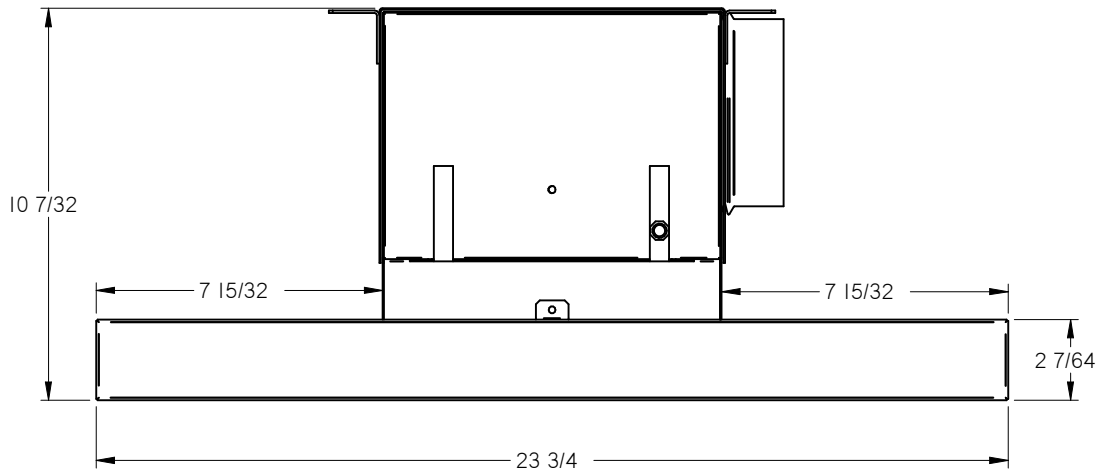
NOTES: UNITS SHOWN WITHOUT ANY ACCESSORIES
 UNITS SHIP SEPARATELY. ASSEMBLY ON SITE REQUIRED
 GRILLE FACE IS NOT CONTINUOUS.
 COIL HANDING TO BE CHOSEN FOR SLIMLINE COUPLING
 OPTIONS.



PROJECT:		PRICE [®]	
ENGINEER:		BB	ACBL12
CUSTOMER:		271284	ACTIVE CHILLED BEAM LINEAR 12" WIDE
SUBMITTAL DATE:	SPEC. SYMBOL:	2023/11/10	

ACTIVE CHILLED BEAM LINEAR 12" WIDE

CASING ACCESSORY:
 NONE (DEFAULT)
 WNG6- WING EXTENSIONS

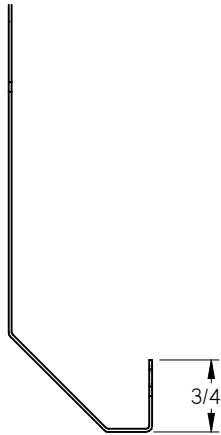


PROJECT:		PRICE [®]	
ENGINEER:		BB	ACBL12 ACTIVE CHILLED BEAM LINEAR 12" WIDE
CUSTOMER:		271284	
SUBMITTAL DATE:	SPEC. SYMBOL:	2023/11/10	

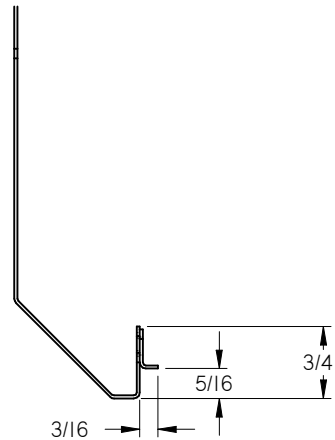
ACTIVE CHILLED BEAM LINEAR 12" WIDE

BORDER STYLE:

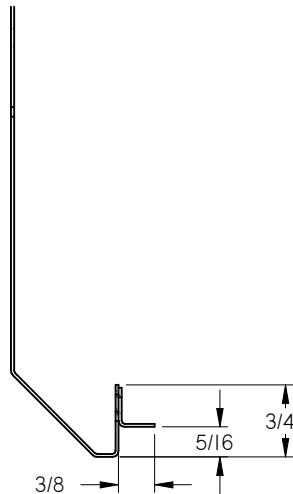
- NONE - STANDARD LAY-IN (DEFAULT)
- T9 - TEGULAR 9/16"
- T15 - TEGULAR 15/16"



STANDARD EDGE



9/16" TEGULAR EDGE



15/16" TEGULAR EDGE

* TEGULAR EDGES ARE NOT APPLICABLE WITH COANDA WINGS.

PROJECT:



ENGINEER:

BB

CUSTOMER:

271284

SUBMITTAL DATE:

SPEC. SYMBOL:

2023/11/10

ACBL12
ACTIVE CHILLED BEAM
LINEAR 12" WIDE

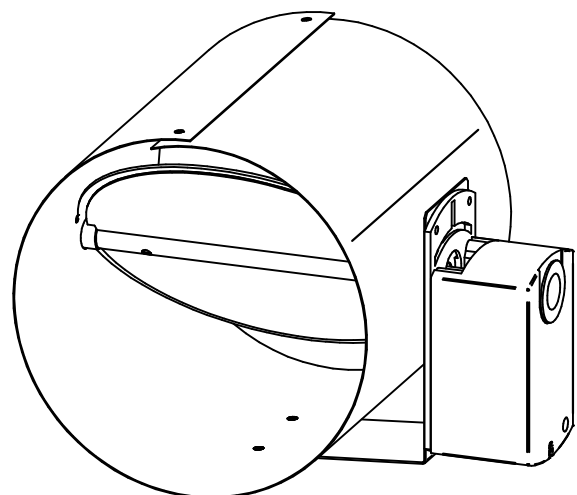
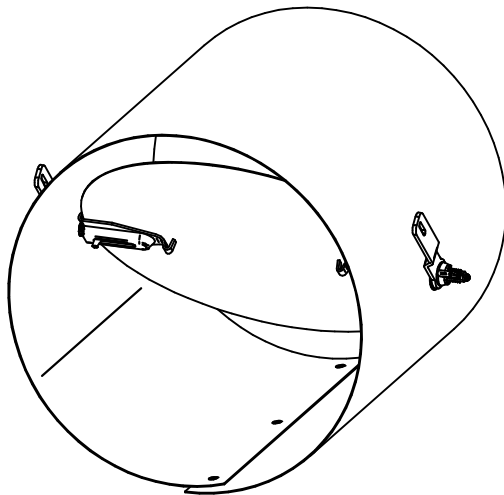
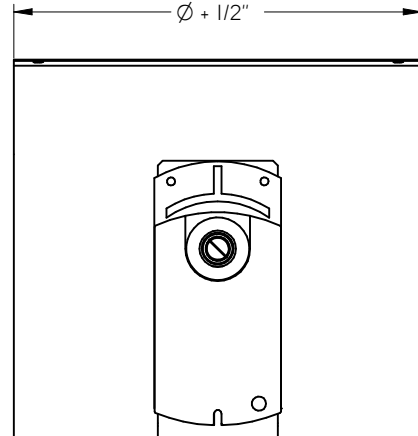
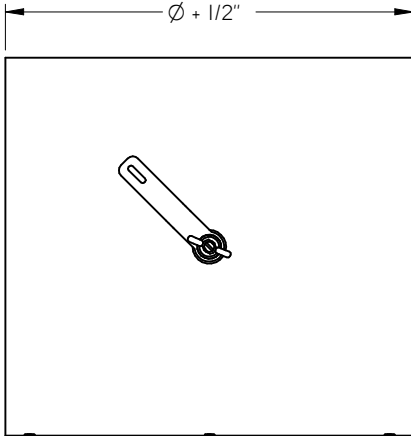
ACTIVE CHILLED BEAM LINEAR 12" WIDE

DAMPER OPTIONS (SHIPPED LOOSE):

(DAMPERS SHOULD NOT BE MOUNTED DIRECTLY TO THE INLET AND SHOULD ONLY BE USED FOR TRIMMING AIRFLOW)

- NONE (DEFAULT)
- MQ5 - 5" DAMPER W/
MANUAL LOCKING QUADRANT
- MQ6 - 6" DAMPER W/
MANUAL LOCKING QUADRANT
- MQ8 - 8" DAMPER W/
MANUAL LOCKING QUADRANT

- VAV5 - 5" DAMPER W/ 24VAC
FLOATING POINT ACTUATOR
- VAV6 - 6" DAMPER W/ 24VAC
FLOATING POINT ACTUATOR
- VAV8 - 8" DAMPER W/ 24VAC
FLOATING POINT ACTUATOR



PROJECT:



ENGINEER:

BB

CUSTOMER:

271284

ACBL12
ACTIVE CHILLED BEAM
LINEAR 12" WIDE

SUBMITTAL DATE:

SPEC. SYMBOL:

2023/11/10

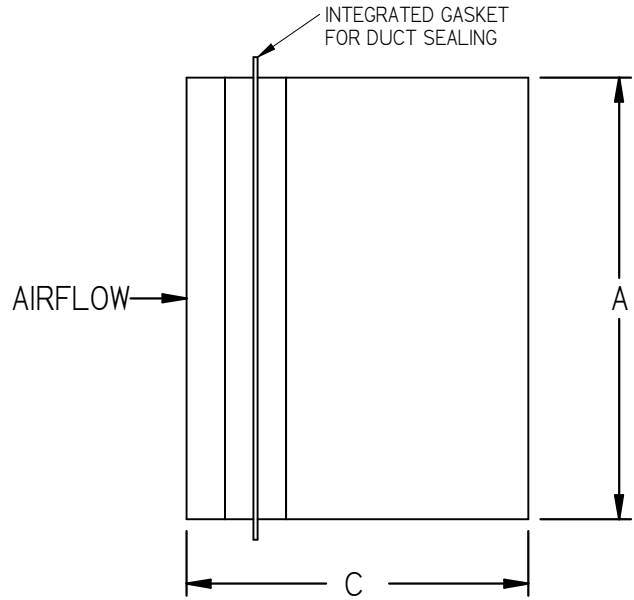
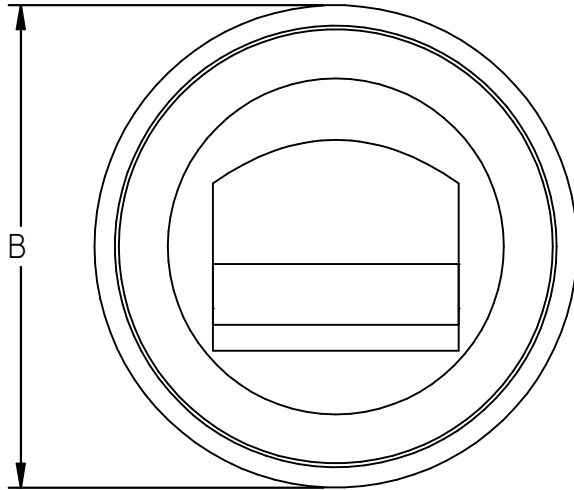
ACTIVE CHILLED BEAM LINEAR 12" WIDE

VOLUME FLOW REGULATOR

- ☐ NONE (DEFAULT)
- ☐ VFR4-10 - 4" DUCT VFR, 10 CFM
- ☐ VFR4-20 - 4" DUCT VFR, 20 CFM
- ☐ VFR4-25 - 4" DUCT VFR, 25 CFM
- ☐ VFR4-30 - 4" DUCT VFR, 30 CFM
- ☐ VFR4-35 - 4" DUCT VFR, 35 CFM
- ☐ VFR4-45 - 4" DUCT VFR, 45 CFM
- ☐ VFR4-50 - 4" DUCT VFR, 50 CFM
- ☐ VFR4-60 - 4" DUCT VFR, 60 CFM

- ☐ VFR5-35 - 5" DUCT VFR, 35 CFM
- ☐ VFR5-50 - 5" DUCT VFR, 50 CFM
- ☐ VFR5-60 - 5" DUCT VFR, 60 CFM
- ☐ VFR5-75 - 5" DUCT VFR, 75 CFM
- ☐ VFR5-90 - 5" DUCT VFR, 90 CFM
- ☐ VFR5-105 - 5" DUCT VFR, 105 CFM
- ☐ VFR6-75 - 6" DUCT VFR, 75 CFM
- ☐ VFR6-90 - 6" DUCT VFR, 90 CFM
- ☐ VFR6-105 - 6" DUCT VFR, 105 CFM
- ☐ VFR6-125 - 6" DUCT VFR, 125 CFM
- ☐ VFR6-140 - 6" DUCT VFR, 140 CFM
- ☐ VFR6-160 - 6" DUCT VFR, 160 CFM
- ☐ VFR6-175 - 6" DUCT VFR, 175 CFM

- ☐ VFR8-125 - 8" DUCT VFR, 125 CFM
- ☐ VFR8-140 - 8" DUCT VFR, 140 CFM
- ☐ VFR8-160 - 8" DUCT VFR, 160 CFM
- ☐ VFR8-175 - 8" DUCT VFR, 175 CFM
- ☐ VFR8-205 - 8" DUCT VFR, 205 CFM
- ☐ VFR8-235 - 8" DUCT VFR, 235 CFM
- ☐ VFR8-265 - 8" DUCT VFR, 265 CFM
- ☐ VFR8-295 - 8" DUCT VFR, 295 CFM



Duct Size	A	B	C	AIRFLOW SELECTIONS (CFM)
4" (100)	3.800	4.100	2.300	10, 20, 25, 30, 35, 45, 50, 60
5" (125)	4.800	5.100	3.500	35, 50, 60, 75, 90, 105
6" (150)	5.800	6.100	3.500	75, 90, 105, 125, 140, 160, 175
8" (200)	7.600	8.100	3.500	125, 140, 160, 175, 205, 235, 265, 295

STANDARD CONSTRUCTION:

- BLACK ABS PLASTIC, UL94V-0 RATED
- UL2043 LISTED
- SIZED TO FIT INSIDE STANDARD RIGID ROUND DUCTING
- INTEGRATED GASKET FOR SEALING AGAINST INSIDE OF DUCT

PERFORMANCE:

- CONTROLS AIRFLOW WITHIN 10% OF RATED FLOW (15% FOR UNITS 50CFM OR LESS) FOR 0.2" TO 0.8" W.C.

PROJECT:

ENGINEER:

CUSTOMER:

SUBMITTAL DATE:

SPEC. SYMBOL:



BB

271284

2023/11/10

ACBL12
ACTIVE CHILLED BEAM
LINEAR 12" WIDE